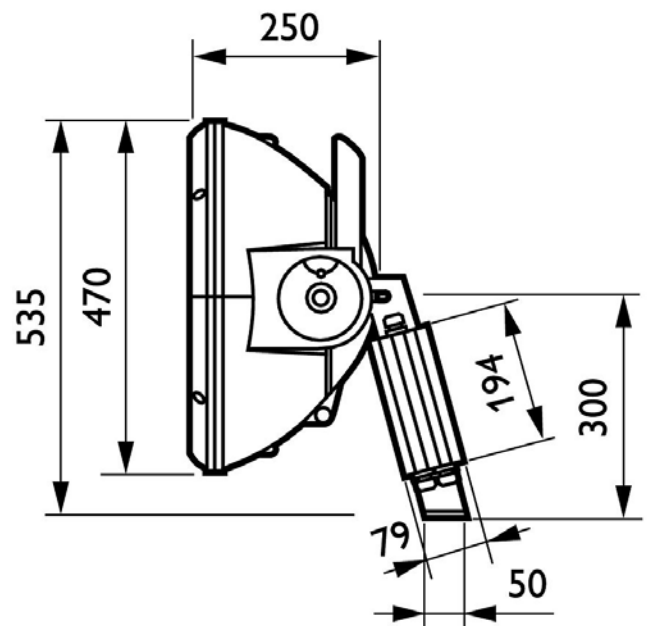
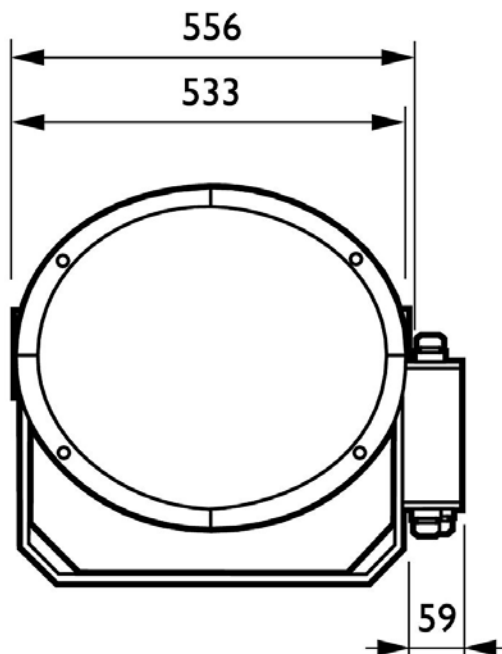


## Παράρτημα 1

## Μελέτη 1 / Κατάλογος φωτιστικών

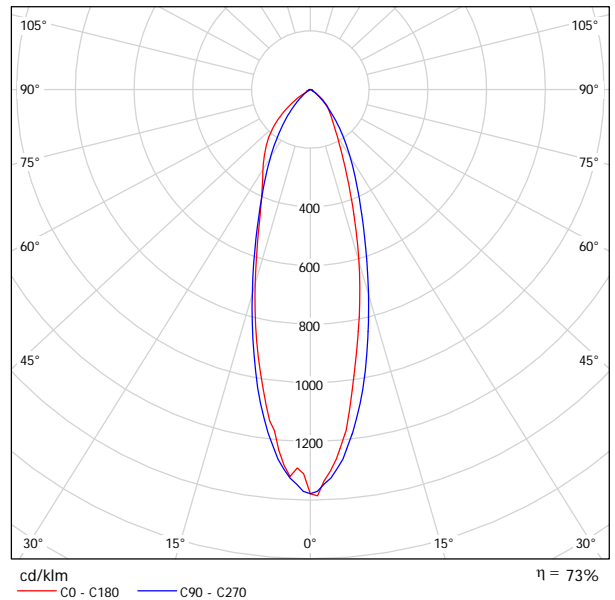
24 Τεμάχια OSRAM 4008321414106 SATURNO II HQI-TS  
2000W DS/VWFL  
Αρ. είδους: 4008321414106  
Φωτεινή ροή (Φωτιστικό): 145967 lm  
Φωτεινή ροή (Λάμπες): 200000 lm  
Ισχύς φωτιστικού: 2000.0 W  
Ταξινόμηση φωτιστικών σύμφωνα προς CIE: 100  
Κωδικός ροής CIE: 84 98 100 100 74  
Εξοπλισμός: 1 x HQI-TS 2000W/D/S  
(Συντελεστής διόρθωσης 1.000).



## OSRAM 4008321414106 SATURNO II HQI-TS 2000W DS/VWFL / Δελτίο στοιχείων φωτιστικού



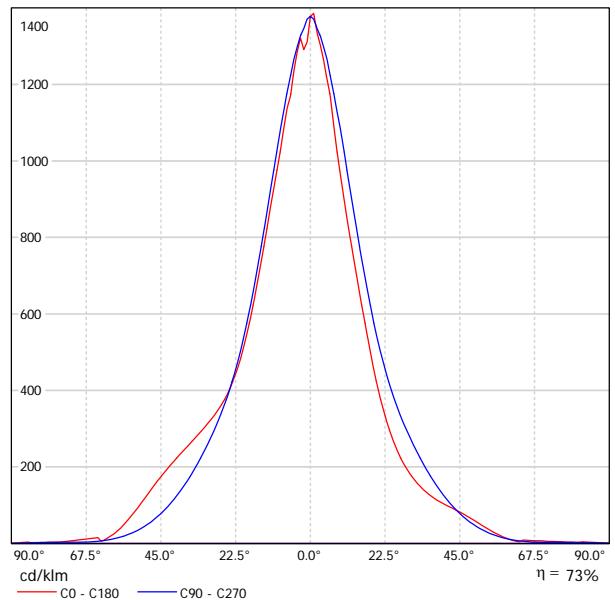
Εκπομπή φωτός 1:



Ταξινόμηση φωτιστικών σύμφωνα προς CIE: 100  
Κωδικός ροής CIE: 84 98 100 100 74

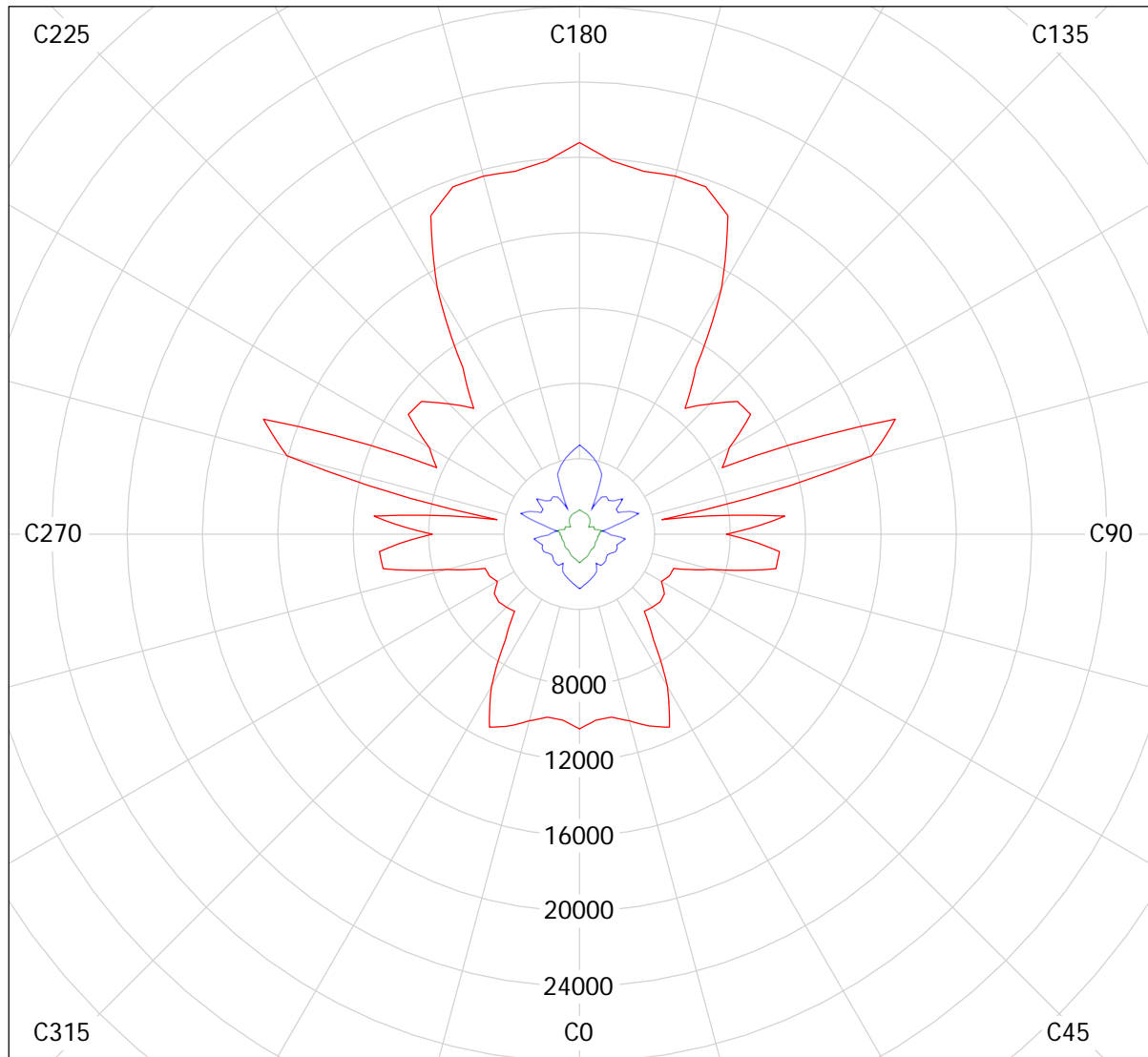
SATURNO II C; SATURNO II C is a floodlight with rotationally symmetrical emission, a particularly robust casing and integrated igniter. The casing is made from sand-blasted, nano-technology treated aluminum with an epoxy polyester powder coating for optimum corrosion protection. SATURNO II C is ideal for illuminating public spaces, sports facilities and covered and open car parks – even near the sea.; Luminaire suitable for HQI-TS 2000 W metal halide lamp; Lamp and equipment box comprising control gear, capacitor to be ordered separately; Rotationally symmetrical reflector made from mirrored aluminum in different beam angles; Operating temperature  $-20^{\circ}\text{C}$  to  $+35^{\circ}\text{C}$ ; Anti-glare shield and protective shield available as accessories; Delivery time on request; ENEC5, IP65, Glow wire test at  $850^{\circ}\text{C}$ , IK08, 230 V, 50 Hz, not equipped with lamp, Holder K12s-36, not dimmable

Εκπομπή φωτός 1:



## OSRAM 4008321414106 SATURNO II HQI-TS 2000W DS/VWFL / Διάγραμμα Πυκνότητας Φωτεινότητας

Φωτιστικό: OSRAM 4008321414106 SATURNO II HQI-TS 2000W DS/VWFL  
 Λάμπες: 1 x HQI-TS 2000W/D/S



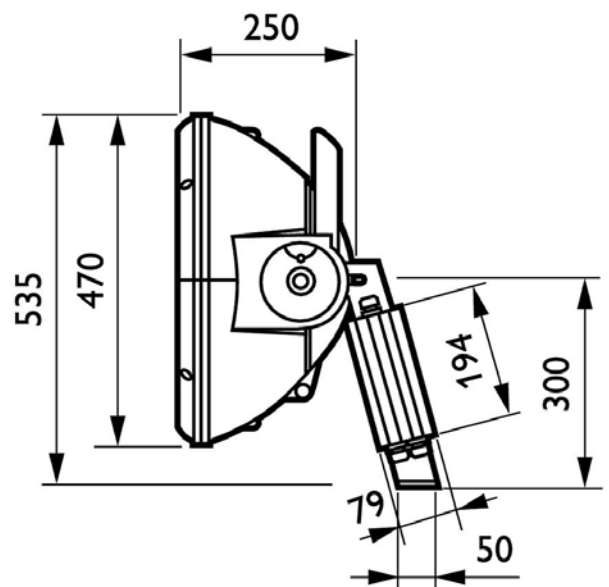
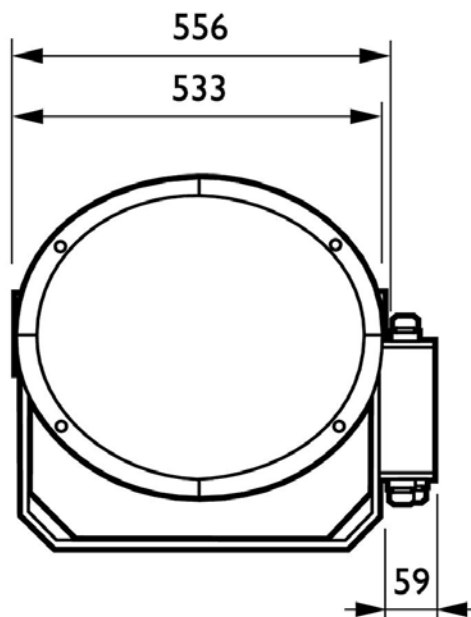
cd/m<sup>2</sup>

— g = 55.0°    — g = 65.0°    — g = 75.0°

## Παράρτημα 2

## Μελέτη 1 / Κατάλογος φωτιστικών

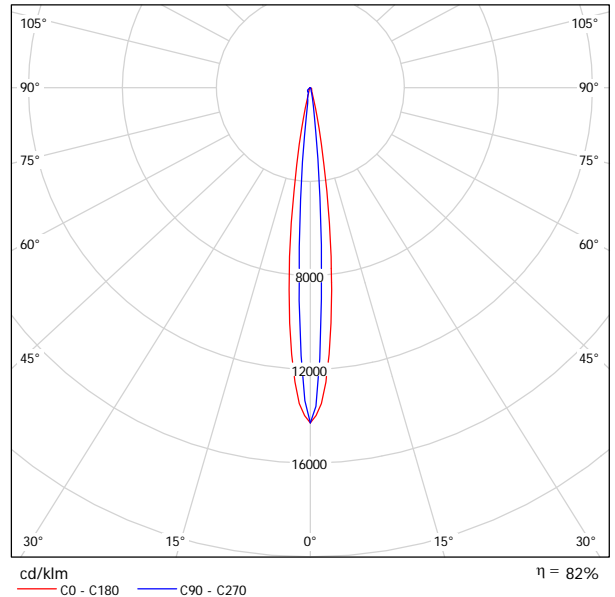
253 Τεμάκια Philips MVF403 C 1xMHN-A2000W/400V/956  
CAT-A2  
Αρ. είδους:  
Φωτεινή ροή (Φωτιστικό): 164000 lm  
Φωτεινή ροή (Λάμπες): 200000 lm  
Ισχύς φωτιστικού: 2093.0 W  
Ταξινόμηση φωτιστικών σύμφωνα προς CIE: 100  
Κωδικός ροής CIE: 90 99 100 100 99  
Εξοπλισμός: 1 x MHN-SA2000W/400V/956  
(Συντελεστής διόρθωσης 1.000).



## Philips MVF403 C 1xMHN-SA2000W/400V/956 CAT-A2 / Δελτίο στοιχείων φωτιστικού



Εκπομπή φωτός 1:



Ταξινόμηση φωτιστικών σύμφωνα προς CIE: 100  
Κωδικός ροής CIE: 90 99 100 100 99

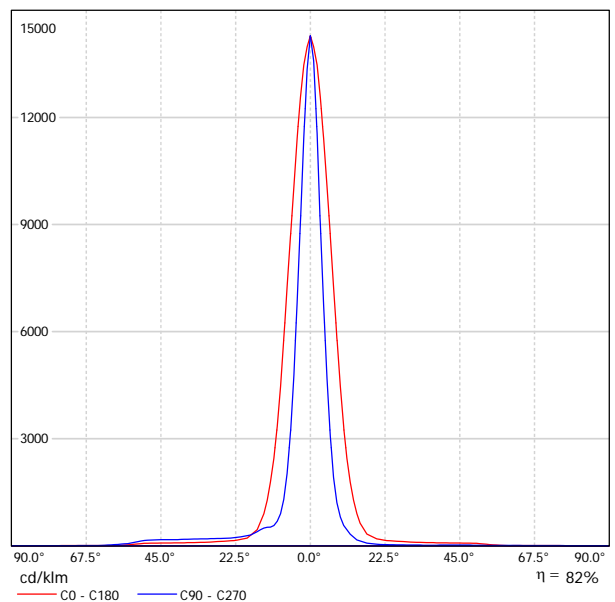
### MVF403 Arena Vision

Since it was first introduced in 1988, Philips ArenaVision has proven to be the best floodlighting system ever for sports lighting applications, most of which have to fulfill the highest specifications to enable television coverage of national and international events.

ArenaVision is an integrated system that is supplied by one manufacturer as part of a complete system. Philips is the only manufacturer to provide all relevant technologies from lamp to gear to floodlight, so that everything works in synergy. With ArenaVision, the key disciplines of lamp, optic and gear design were brought together with a single mission: to create the best possible floodlight that will operate effectively for many years.

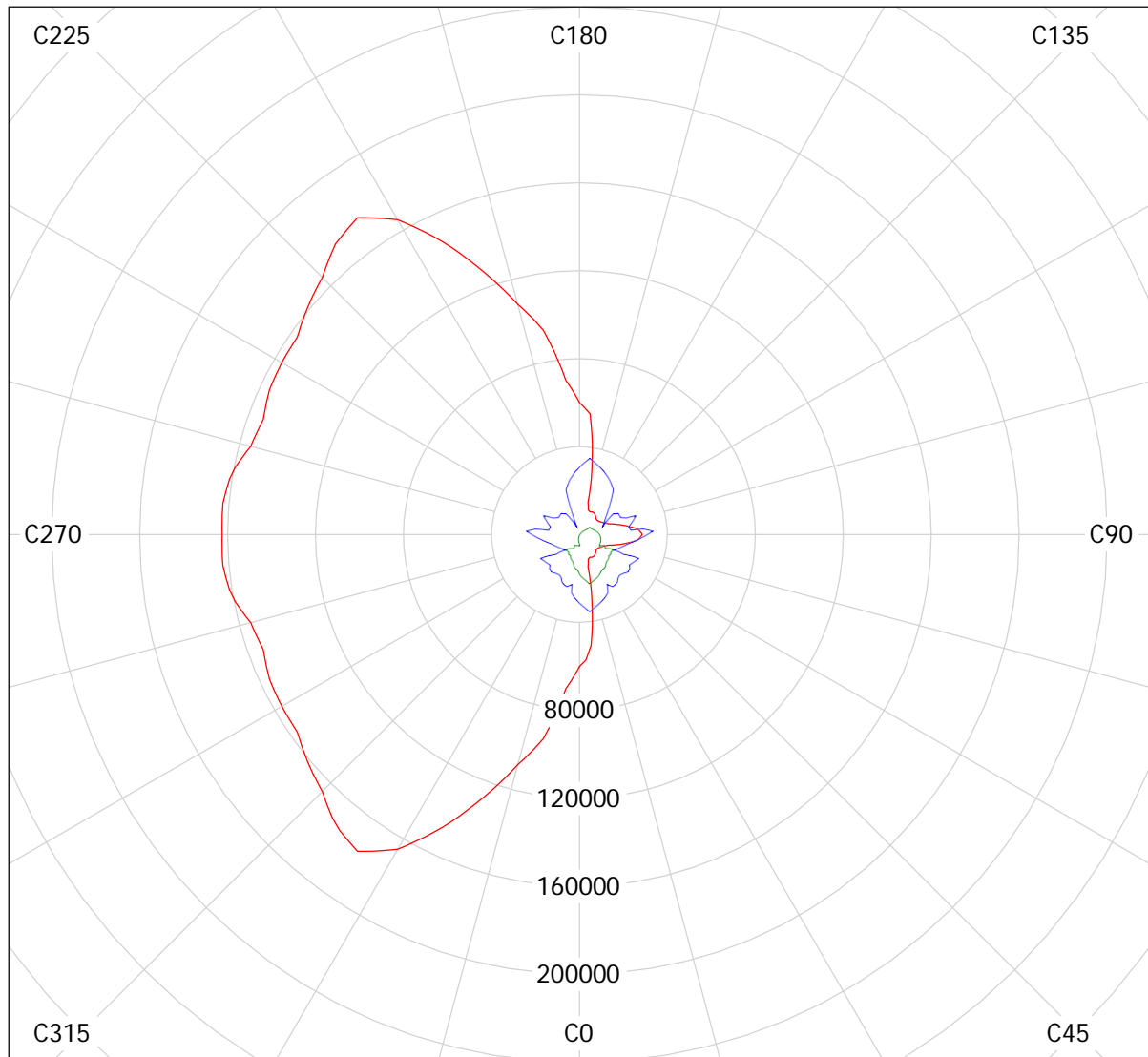
ArenaVision MVF403 is ideal for indoor sports halls as well as many outdoor sports and other illumination uses. It comes with a variety of reflectors and lamps and offer a choice of optical systems and three levels of power output for every conceivable application.

Εκπομπή φωτός 1:



## Philips MVF403 C 1xMHN-SA2000W/400V/956 CAT-A2 / Διάγραμμα πυκνότητας φωτεινότητας

Φωτιστικό: Philips MVF403 C 1xMHN-SA2000W/400V/956 CAT-A2  
 Λάμπες: 1 x MHN-SA2000W/400V/956



cd/m<sup>2</sup>

— g = 55.0°    — g = 65.0°    — g = 75.0°